

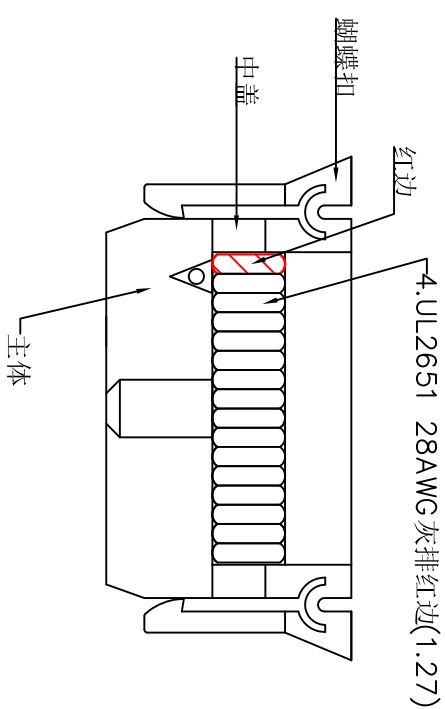
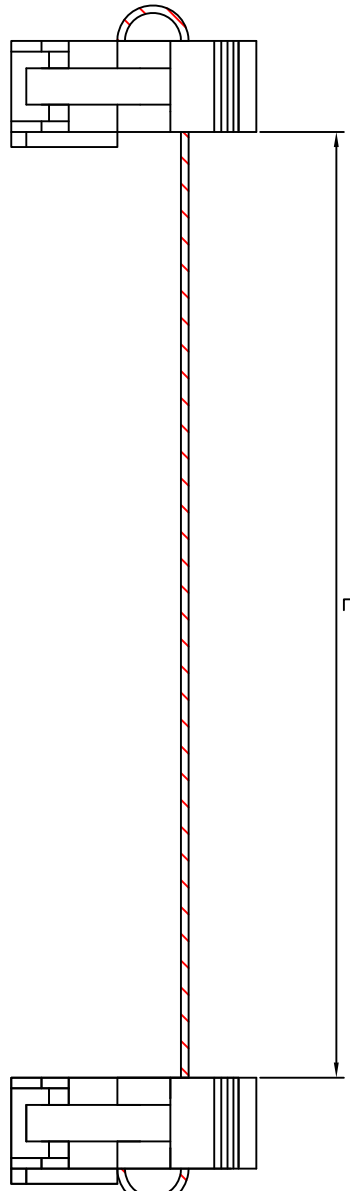
4

3

2

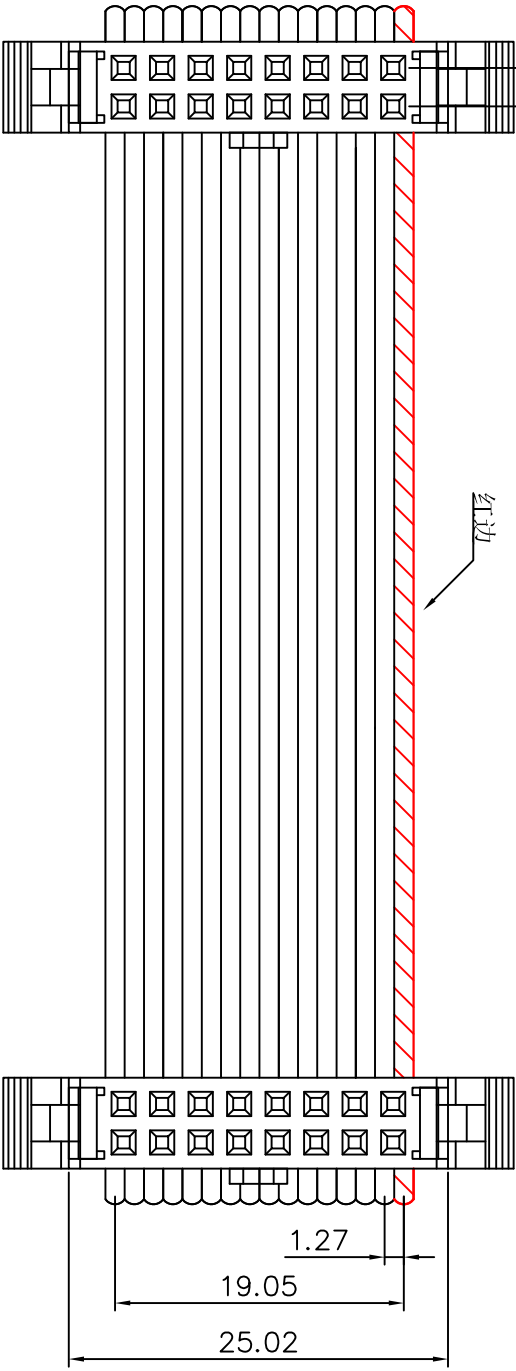
1

L=150mm  
L=420mm



2.54

红边



排线夹  
材质: PBT 环保  
端子: 青铜  
额定电流: 1Amp  
最大耐受电压: AC 500V/1Minute  
绝缘电阻: 1000mΩ Min. 在DC 500V时  
接触电阻: 15mΩ Max

排线

- 额定温度: 105℃
- 额定电压: 300V
- 参考标准: UL758, UL1581
- 导体使用绞合28AWG 镀锡/裸铜
- PVC 绝缘

A

B

C

D

A

B

C

D

客户编码

Units mm Scale 2:1

Tolerance Unless  
Otherwise Specified

.X ~ ±0.30

.XX ~ ±0.25

.XXX ~ ±0.20

Angle ~ ± 3°

Drawing By  
ChenShan  
Date  
2018/07/04

Reviewed By  
Date

Approval By  
Date

<http://www.ciscomm.com>

Date  
2018/07/04

Sheet  
1 of 1

Title

深圳市新世联电子有限公司  
TEL: +86(755)29912370 FAX: 29912372  
PH2.54mm 成品灰排线16P+蝴蝶扣  
Y端镀金2U

Third Angle Projection



Drawing No.

Material No.

REV  
A  
RELEASED  
ECN. NO.

Date  
2018/07/04

4

3

2

1

REV  
A